

REV: B

Fair
MANUFACTURING, INC.
BALE PROCESSOR

Model:

7830-TD



Parts Manual

Part Number:

BP16012

Serial Number:

(61 - 100)

If you have any questions or require assistance, please contact your servicing dealer. You may also contact:

**FAIR MANUFACTURING INC.
2900 ALUMAX RD.
YANKTON, SD 57078
(605) 653-3247
WWW.FAIRMFG.COM**

We look forward to your satisfaction with this equipment. We will be pleased to assist you with any problems you may encounter.

FAIR SNOCRETE BALE PROCESSOR

MODEL NUMBER: 7830-TD

SERIAL NUMBER:

DATE OF DELIVERY:

SERVICING DEALER:

SERVICING DEALER ADDRESS:

SERVICING DEALER PHONE NUMBER:

Manual Index:

Model: 7830-TD

Description: Top Discharge

Table of Contents:

B. PARTS & ASSEMBLIES

PA. 2.....Tire & Rim

PA. 3.....Slug Bar

PA. 4.....Bale Lift

PA. 5.....Apron Table BOM

PA. 6.....Apron Table

PA. 7.....Blower Housing, Fan, & Auger BOM

PA. 8.....Blower Housing, Fan, & Auger

PA. 9.....Front Gearbox BOM

PA. 10.....Front Gearbox

PA. 11.....Rear Gearbox BOM

PA. 12.....Rear Gearbox

PA. 13.....Spout Platform

PA. 14.....Spout w/ Extension

PA. 15.....Hitch Components

PA. 16.....Rotor & Flail Components

PA. 17.....Additional Rotor Components

PA. 18.....Additional Rotor Components BOM

PA. 19.....Rubber Belts

PA. 20.....Eject Door

PA. 21.....Hydraulics

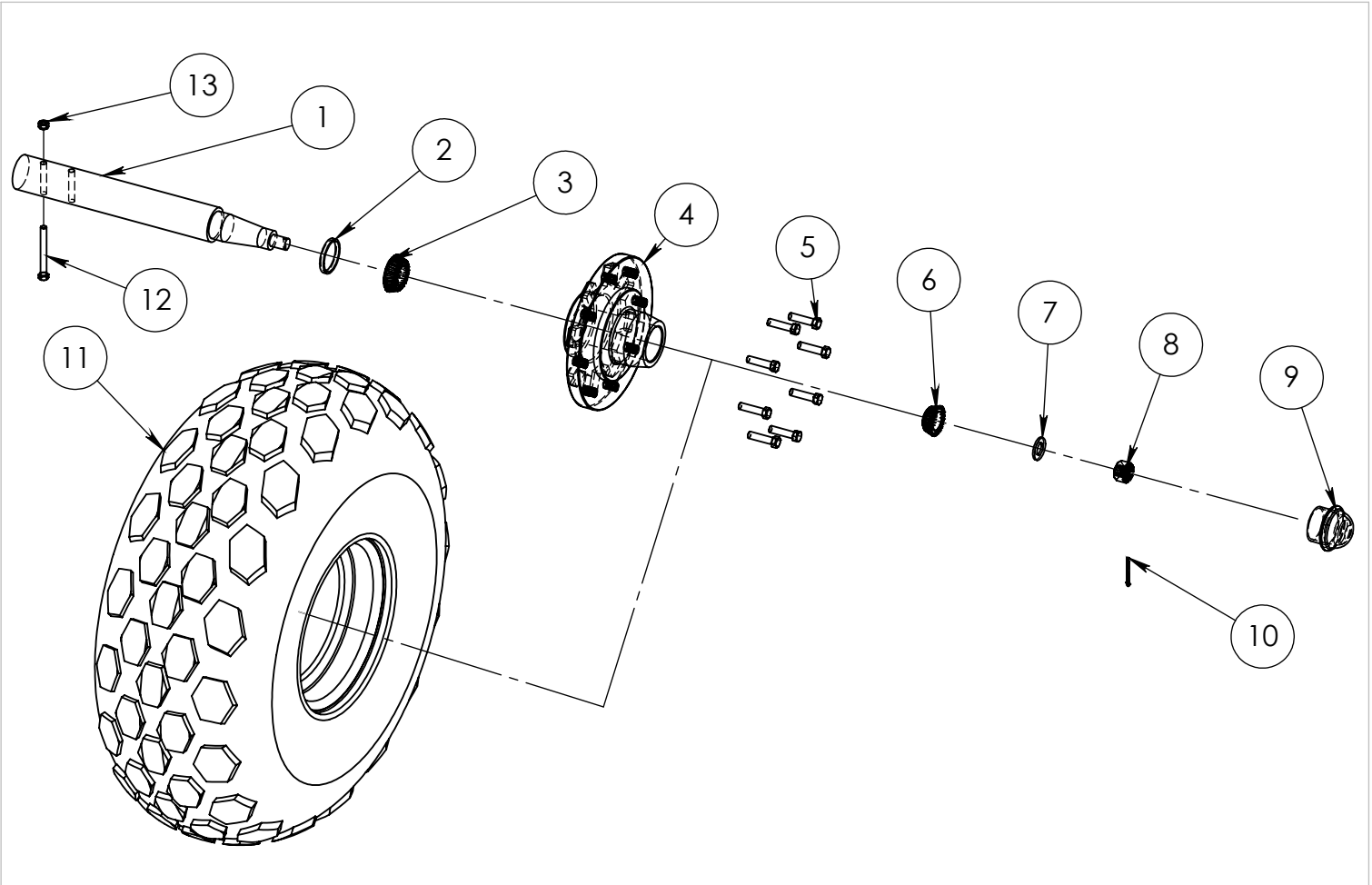
PA. 22.....Electrical Schematic

PA. 23.....Control Box BOM

TIRE & RIM BOM

PA. 2

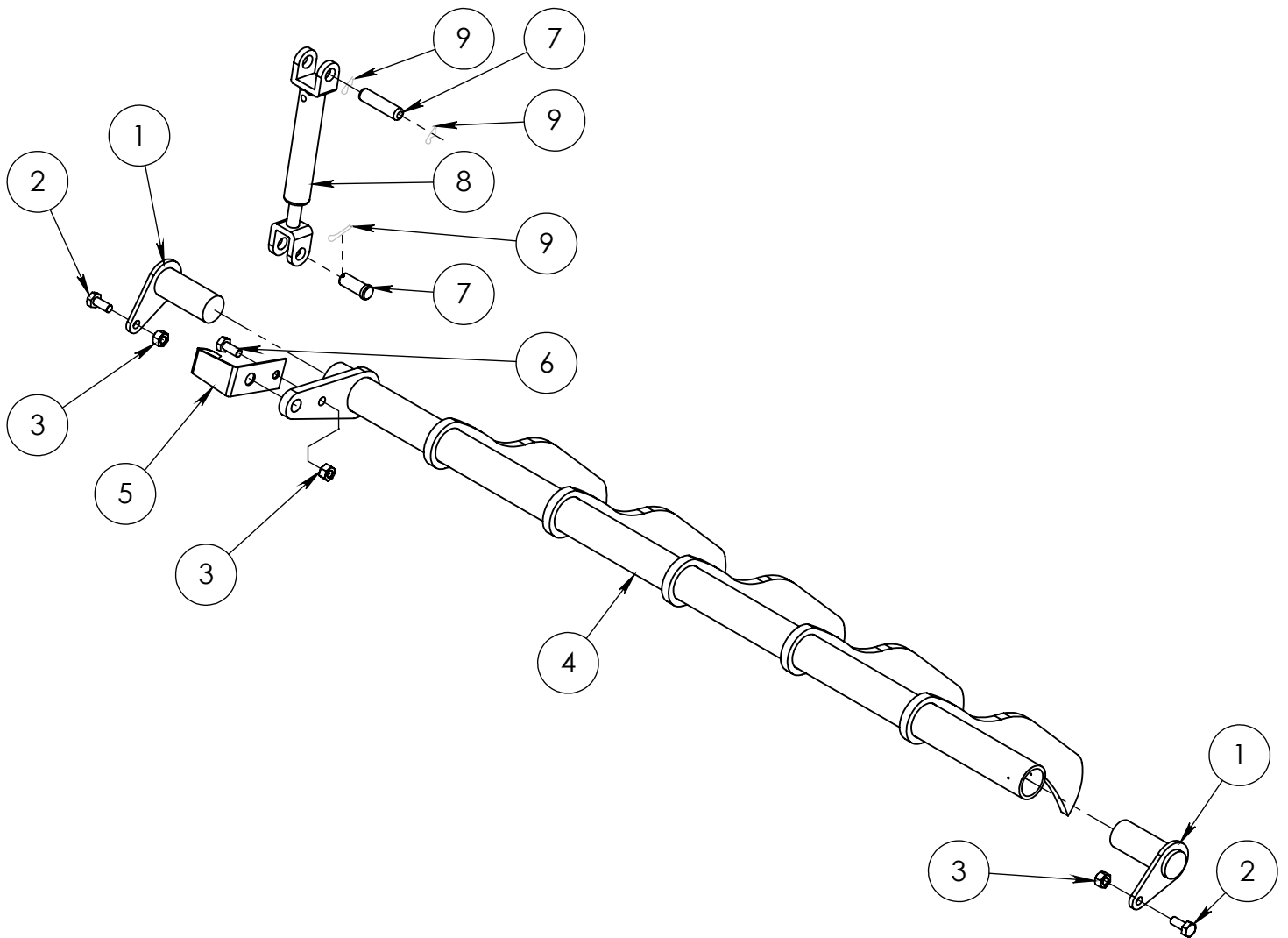
ITEM #	PART #	NAME	DESCRIPTION	QTY.
1	BP08010	Spindle	Ø 2-1/4" x 19" 1045	2
2	BP08009	Hub Seal		2
3	BP08008	Inner Wheel Bearing		2
4	BP08007	8 Bolt 45-8 Ag Hub		2
5	BP08013	Wheel Bolt	9/16" NF	16
6	BP08005	Outer Wheel Bearing		2
7	BP08004	Flat Washer	3/4"	2
8	BP08002	Castle Nut	5/32" x 1.5"	2
9	BP08001	Wheel Hub Cap	2- 7/16"	2
10	BP14092	Cotter Pin	5/32" x 1.5"	2
11	BP08006	Tire & Rim	16.5L 16.1	2
12	BP08012	Hex Bolt	1/2" x 3-1/2" NC	2
13	BP08011	Lock Nut	1/2" NC	2



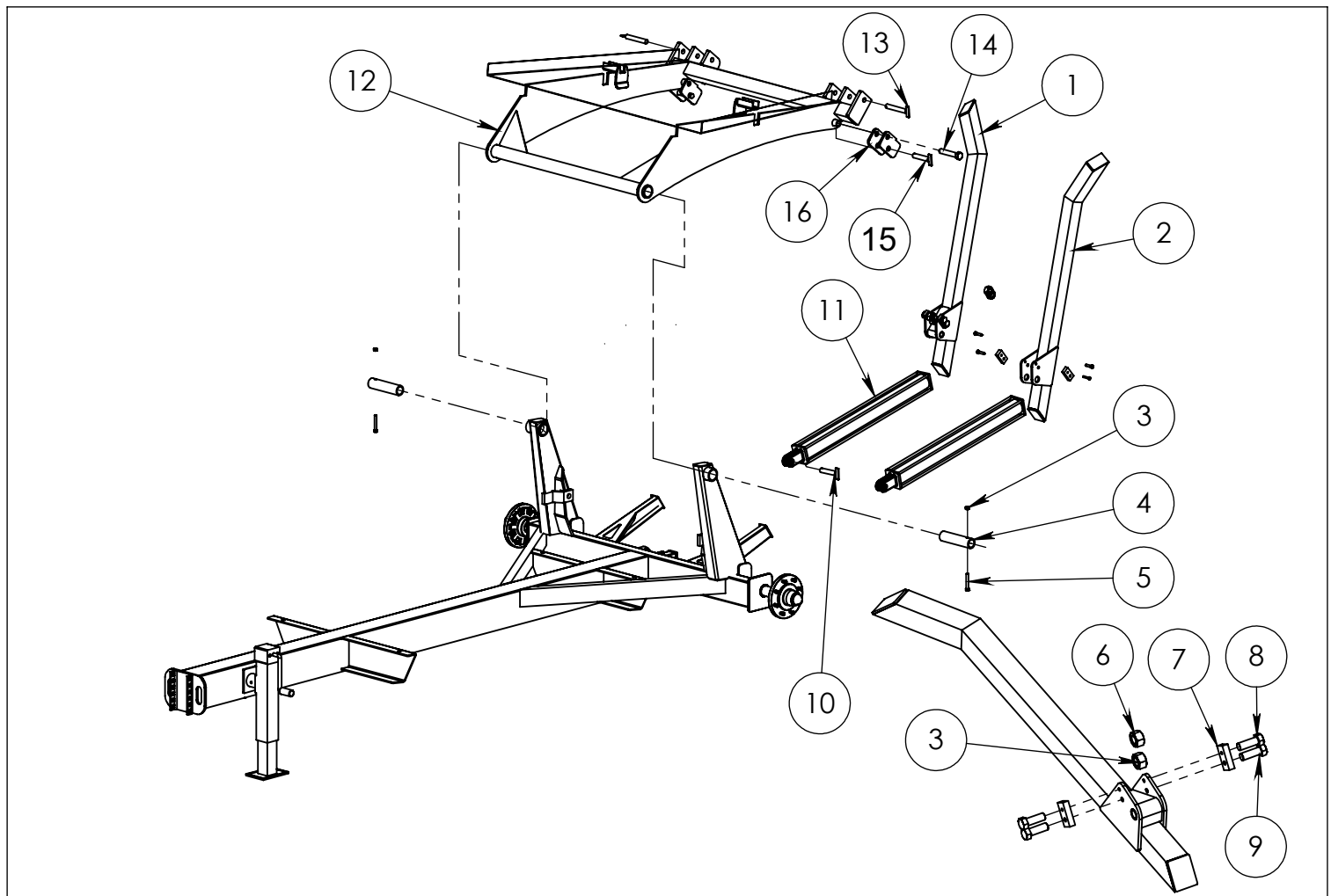
SLUG BAR BOM

PA. 3

ITEM #	PART #	NAME	DESCRIPTION	QTY:
1	BP05044	Slug Bar Pin Assembly		2
2	BP14101	Hex Bolt	5/8" NC x 2"	2
3	BP14015	Lock Nut	5/8" NC	3
4	BP05045	Slug Bar Assembly		1
5	BP05041	Slug Bar Needle		1
6	BP14034	Hex Bolt	5/8" NC x 1-1/2"	1
7	BP14037	Pin	∅ 1" x 2-3/4"	2
8	BP10037	Hydraulic Cylinder	2" x 4"	1
9	BP14092	Cotter Pin		4



BALE LIFT BOM				PA. 4
ITEM #	PART #	PART NAME	DESCRIPTION	QTY.
1	BP07077	Bale Fork (Complete)	(Eject Door Side)	1
2	BP07078	Bale Fork (Complete)	(Rotor Side)	1
3	BP14013	Lock Nut	1/2" NC	6
4	BP07052	Bale Lift Pin	1-3/4" x 2-1/4" x 9" DOM	2
5	BP14038	Hex Bolt	1/2" x 3-1/2" NC	2
6	BP14012	Lock Nut	3/8" NC	4
7	BP07014	Shear Block		4
8	BP14010	Hex Bolt	3/8" NC x 1-3/4"	4
9	BP14011	Hex Bolt	1/2" NC x 1-3/4"	4
10	BP14037	Bale Cylinder Pin		2
11	BP10020	Hydraulic Cylinder	3" x 30" Tie Rod	2
12	BP07016	Bale Lift (Complete)		1
13	BP07002	Bale Fork Pin	15/16" x 6.25"	2
14	BP07018	Hex Bolt	1" x 5-1/2" NF	4
15	BP07007	Hydraulic Cyl. Pin Top	Ø 1" x 4.75"	2
16	BP07015	Two-Stage Linkage		2



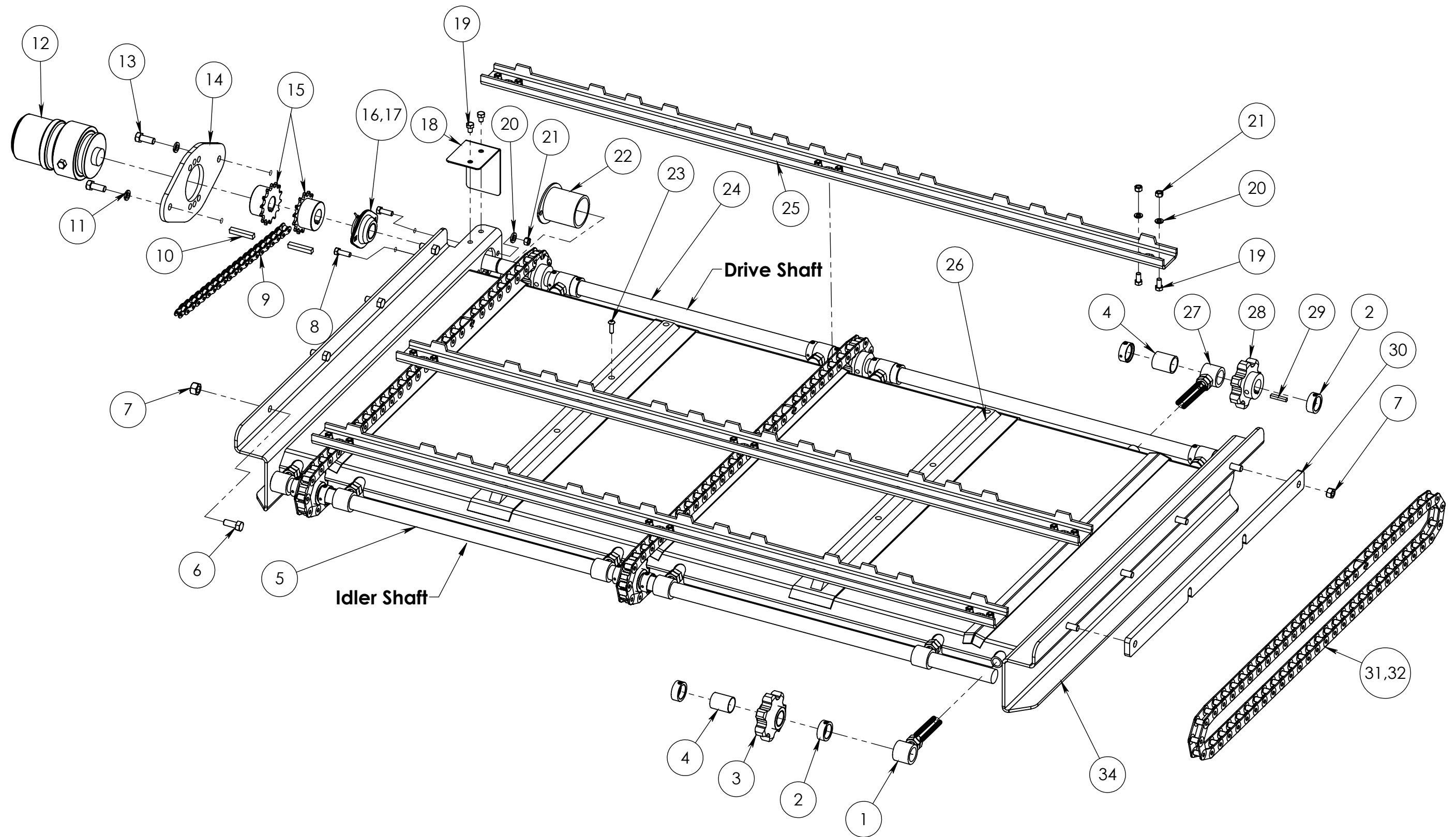
This Page Intentionally Left Blank

APRON TABLE BOM

PA. 5

ITEM #	PART #	NAME	DESCRIPTION	QTY:
1	BP04040	Apron Idler Shaft Tensioner	1-1/4"	6
2	BP04062	Set Collar	1-1/4"	11
3	BP04041	Apron Idler Sprocket	(CA557 Chain) 7 Teeth	3
4	BP04059	Bushing	1-1/4" Oil Lite Bronze Bushing	9
5	BP04039	Apron Idler Shaft	1-1/4"	1
6	BP14011	Hex Bolt	1/2" x 1-3/4" NC	8
7	BP14013	Lock Nut	1/2" NC	8
8	BP14044	Hex Bolt	3/8" x 1 -1/4 NC	2
9	BP04088	Apron Orbit Motor Coupler Chain	60 - 14p w/ CL	1
10	BP14097	Key	5/16" x 1-1/4"	2
11	BP14047	Lock Washer	1/2"	2
12	BP10019	Apron Orbit Motor	28 cu in	1
13	BP14032	Hex Bolt	1/2" x 1-1/4" NC	2
14	BP04038	Apron Orbit Motor Bracket		1
15	BP04085	Coupler Sprocket	60B14 (1-1/4" Bore)	2
16	BP04033	Drive Shaft Pilot Bearing	(Ball & Bearing Only)	1
17	BP04072	Drive Bearing Flange		2
18	BP04049	Apron Orbit Motor Coupler Cover		1
19	BP14020	Hex Bolt	3/8" x 1" NC	32
20	BP14022	Lock Washer	3/8"	32
21	BP14021	Hex Nut	3/8" NC	32
22	BP04071	Apron Twine Gaurd (Complete)		1
23	BP14096	Socket Head Cap Screw	1/4" x 3/4" NC	8
24	BP04086	Apron Drive Shaft	1-1/4"	1
25	BP04050	Apron Slat		5
26	BP04081	Poly Wear Strip		2
27	BP04031	Center Bearing & Tensioner	(for Apron Drive Shaft) 1-1/4"	5
28	BP04069	Apron Drive Sprocket	CA557 B - Hub 7 Tooth (1 -1/4" Bore)	3
29	BP14045	Key	1/4" x 1-1/4"	3
30	BP04067	Apron Table Shim		1
31	BP04036	Apron Chain	CA557 - 58p w/ CL	3
32	BP04084	Apron Chain Connector Link	557 - (Sold with chain)	3
33	BP04077	Apron Table (Complete)	without Chains & Slats	1

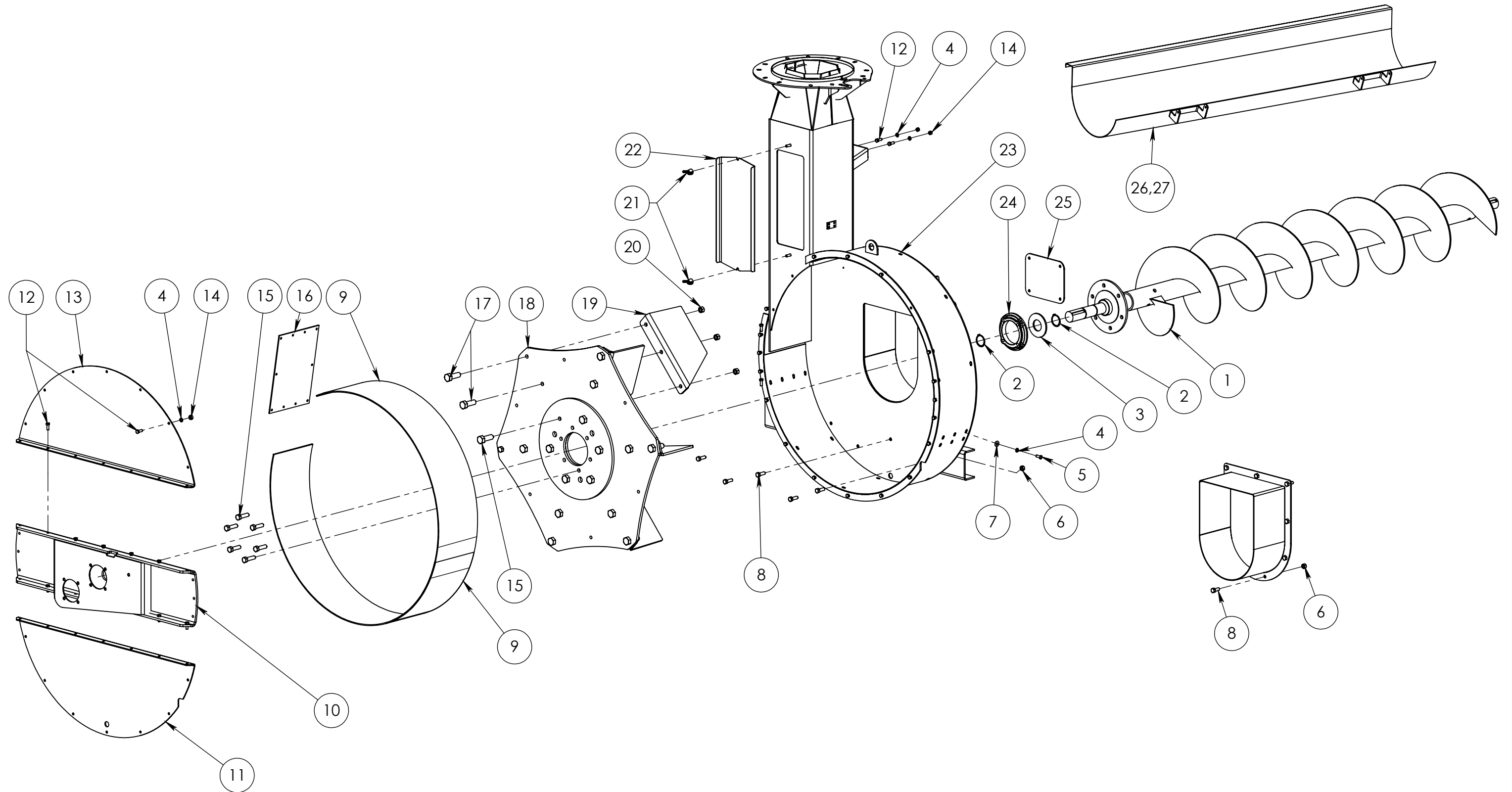
APRON TABLE



BLOWER HOUSING, FAN, & AUGER ASSEMBLY BOM

ITEM #	PART #	NAME	DESCRIPTION	QTY:
1	BP12099	Auger (Complete)		1
2	BP14043	Snap Ring	2-1/4"	2
3	BP14061	Machine Washer	2-1/4" ID	1
4	BP14022	Lock Washer	3/8"	62
5	BP14067	Hex Bolt	3/8" x 3/4" NF	28
6	BP14013	Lock Nut	1/2" NC	14
7	BP14028	Flat Washer	3/8"	28
8	BP14032	Hex Bolt	1/2" x 1-1/4" NC	14
9	BP12082	Fan Liner	Top & bottom liners (check wear of both liners, only replace one if other is still in good condition)	2
10	BP12105	Front Gearbox Mount Channel		1
11	BP12048	Blower Housing Front Lid Bottom		1
12	BP14020	Hex Bolt	3/8" x 1" NC	34
13	BP12047	Front Lid Top		1
14	BP14021	Hex Nut	3/8" NC	22
15	BP14019	Hex Bolt	3/4" x 2-1/4" NC Bolt Gr. 8	12
16	BP12112	Fan Housing Liner Extension		1
17	BP14018	Hex Bolt	3/4" x 1-3/4" NC Bolt Gr. 8	12
18	BP12103	Fan Back (Complete)	Without paddles	1
19	BP12104	Fan Paddle	3/8" Hardox 450 w/ 3/4" Bolts	6
20	BP14017	Lock Nut	3/4" NC	18
21	BP14066	Wing Nut	3/8" NC	2
22	BP12051	Blower Front Access Panel		1
23	BP12106	Fan Housing (Complete Part)		1
24	BP03134	Pilot Flange Bearing	2-1/4"	1
25	BP12094	Blower Housing Back Cover	Fan Housing Back Cover	1
26	BP13111	Auger Door	Door latches sold separately	1
27	BP06009	Auger Door Latch	U-Bolt Style (Not Shown)	2

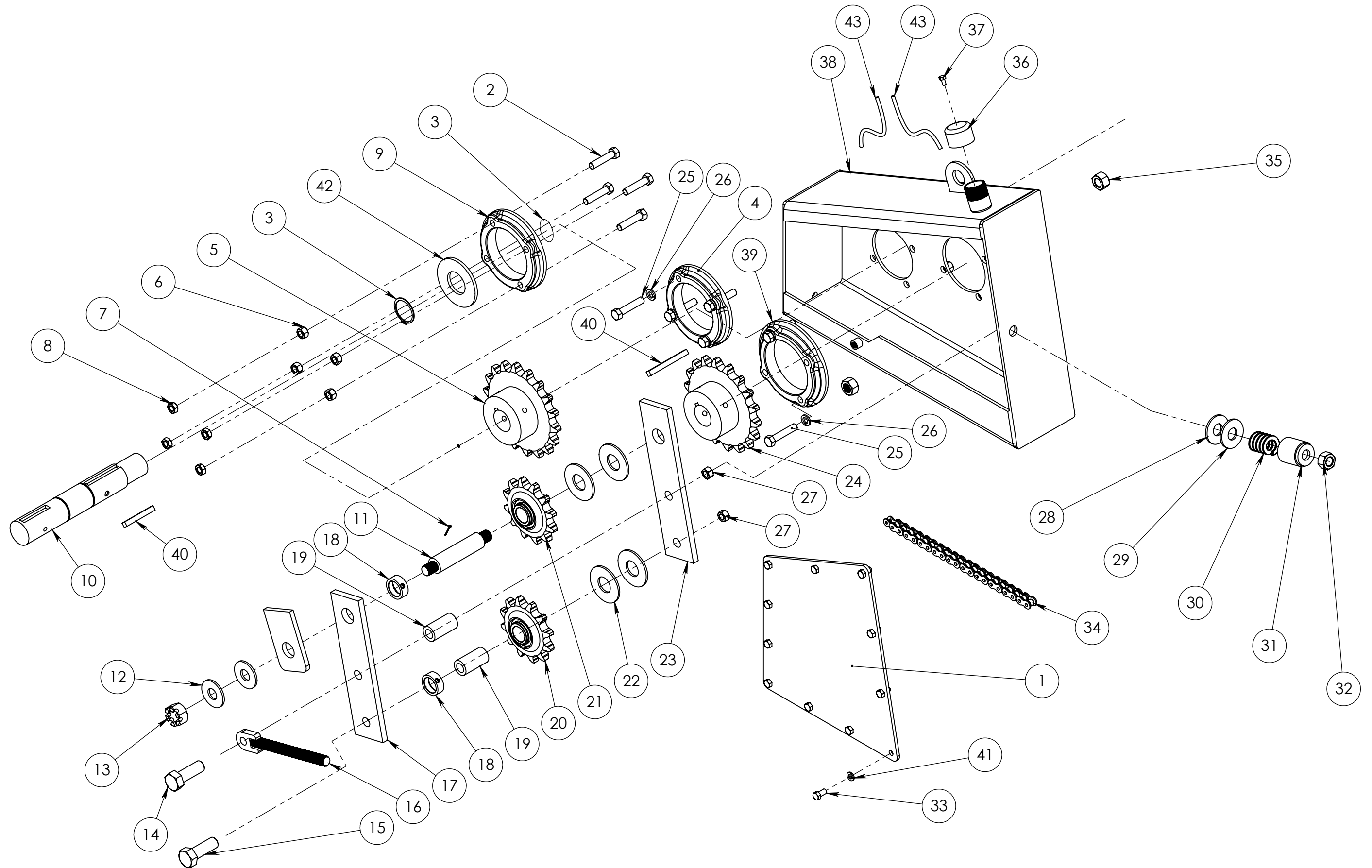
BLOWER HOUSING, FAN, & AUGER ASSEMBLY



FRONT GEARBOX BOM

ITEM #	PART #	NAME	DESCRIPTION	QTY:
1	BP03039	Gearbox Front Lid		1
2	BP14068	Hex Bolt	1/2" x 2-1/4" NF	4
3	BP14042	Snap Ring	2"	2
4	BP03132	Pilot Flange Bearing	1-3/4"	1
5	BP03159	Drive Sprocket	100B18 (2" Bore)	1
6	BP14069	Hex Nut	1/2" NF	4
7	BP14092	Cotter Pin	5/32" x 1-1/2"	1
8	BP14070	Jam Nut	1/2" NF	4
9	BP03133	Pilot Flange Bearing	2"	1
10	BP03126	Gearbox Input Shaft	2"	1
11	BP03140	Gearbox Backwrap Shaft	1-1/4" w/ Castle Nut	1
12	BP14074	Flat Washer	3/4"	2
13	BP14023	Castle Nut	3/4" NF	1
14	BP14008	Hex Bolt	3/4" x 5" NC	1
15	BP14099	Hex Bolt	3/4" x 4-1/2" NC	1
16	BP03114	Chain Tensioner Bolt		1
17	BP03138	Gearbox Backwrap Bar Front	5/8" x 12"	1
18	BP03128	Lock Collar	1-1/4"	2
19	BP03110	Gearbox Bushing	3/4" x 1-1/4" x 2.41"	2
20	BP03105	Idler Sprocket	100F12	1
21	BP03106	Idler Sprocket	100F15	1
22	BP14052	Machine Washer	1-1/4" x 10g	4
23	BP03139	Gearbox Backwrap Bar Rear	5/8" x 13"	1
24	BP03088	Driven Sprocket	100B14 (2-1/4" Bore)	1
25	BP14029	Hex Bolt	1/2" x 2-1/2" NF	8
26	BP14047	Lock Washer	1/2"	8
27	BP14017	Lock Nut	3/4"	2
28	BP03003	Chain Tensioner Seal		1
29	BP03124	Spring Washer	3/4" x 10g	1
30	BP03002	Chain Tensioner Spring		1
31	BP03025	Tensioner Spring Cap		1
32	BP14075	Nylon Lock Nut	3/4" NC	1
33	BP14030	Hex Bolt	3/8" x 3/4" NC	11
34	BP03100	Drive Chain	100 - 52p w/ CL (for Serial #: 31- 80)	1
	BP03160	Drive Chain	100H - 52p w/ CL (for Serial #: 81-)	1
35	BP14024	Hex Nut	3/4" NC (for BP03140)	1
36	BP03005	Oil Fil Cap	1-1/4"	1
37	BP03129	Breather	1/8" NPT	1
38	BP03122	Gearbox Housing (Complete Part)		1
39	BP03134	Pilot Flange Bearing	2-1/4"	1
40	BP14073	Key	1/2" x 3"	1
41	BP14022	Lock Washer	3/8"	11
42	BP14058	Machine Washer	2" x 10g	1
43	BP03130	Grease Line	10" L	2

FRONT GEARBOX

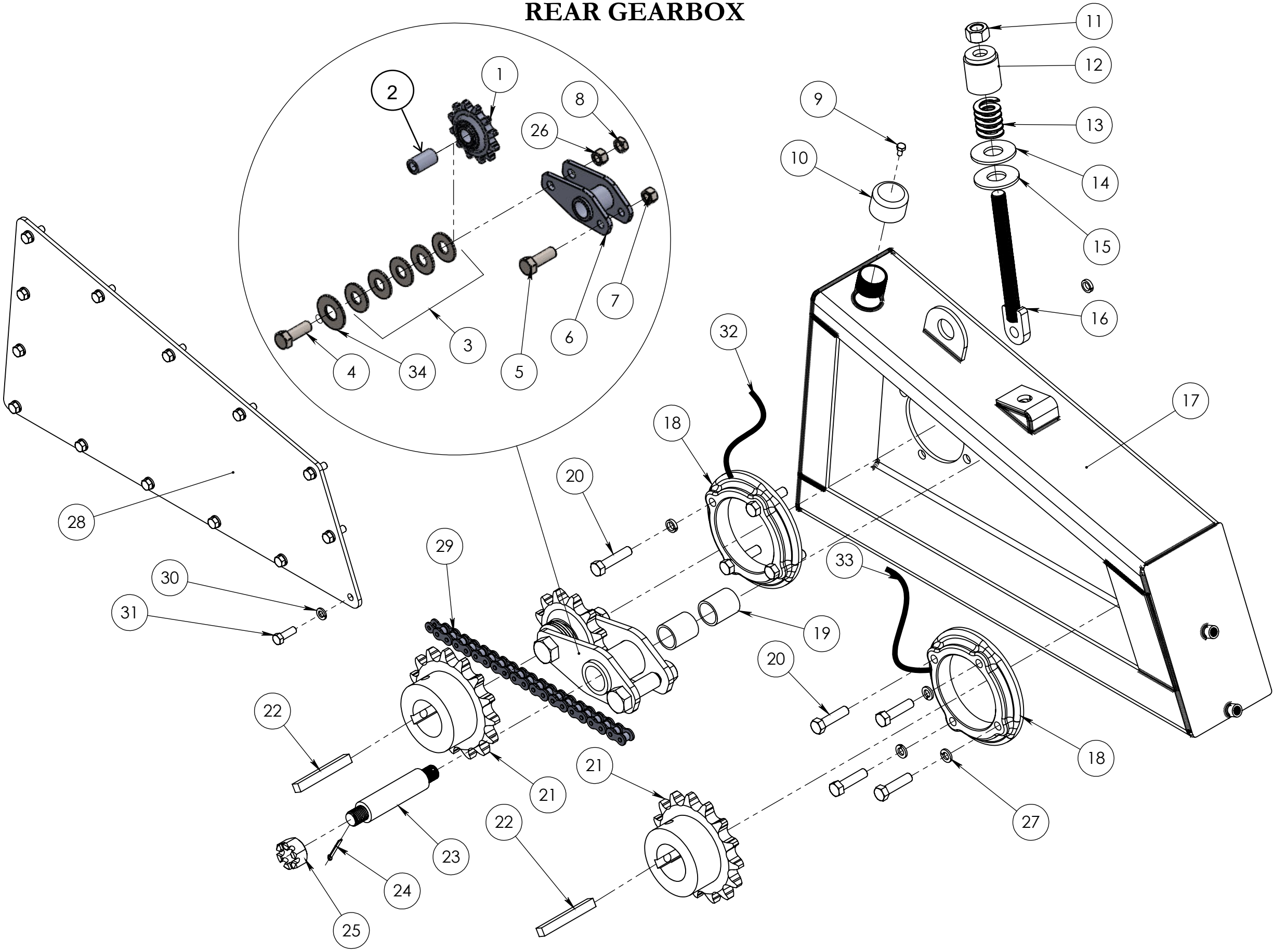


REAR GEARBOX BOM

PA. 11

ITEM #	PART #	NAME	DESCRIPTION	QTY:
1	BP03105	Idler Sprocket	100F12	1
2	BP03054	Bushing	3/4" x 1-1/4" x 2 -3/16"	1
3	BP14052	Machine Washer	1-1/4" x 10g	5
4	BP14009	Hex Bolt	3/4" x 4" NF	1
5	BP14002	Hex Bolt	5/8" x 4" NC	1
6	BP03123	Idler Sprocket Tensioner		1
7	BP14015	Lock Nut	5/8" NC	1
8	BP14076	Jam Nut	3/4" NF	1
9	BP03129	Breather	1/8" NPT	1
10	BP03005	Oil Fill Cap	1-1/4" Black Iron Cap	1
11	BP14075	Nylock Nut	3/4" NC	1
12	BP03025	Tensioner Spring Cup	2-1/8" OAL	1
13	BP03002	Chain Tensioner Spring		1
14	BP03124	Spring Washer	3/4" x 10g	1
15	BP03003	Chain Tensioner Seal		1
16	BP03113	Gearbox Tensioner Bolt		1
17	BP03120	Rear Gearbox Housing (Complete Part)		1
18	BP03134	Pilot Flange Bearing	2-1/4"	2
19	BP04059	Bushing	1-1/4" x 1-1/2" x 1-3/4" Oil Lite Bronze Bushing	2
20	BP14077	Hex Bolt	1/2" x 2" NF	8
21	BP03089	Sprocket	100B15 (2-1/4" Bore)	2
22	BP14073	Key	1/2" x 3"	2
23	BP03099	Gearbox Backwrap Shaft	1-1/4"	1
24	BP14092	Cotter Pin	5/32" x 1-1/2"	1
25	BP14023	Castle Nut	3/4" NF	1
26	BP14003	Hex Nut	3/4" NF	1
27	BP14047	Lock Washer	1/2"	8
28	BP03040	Rear Gearbox Lid		1
29	BP03101	Rear Gearbox Chain	100 - 46p w/ CL	1
30	BP14022	Lock Washer	3/8"	14
31	BP14030	Hex Bolt	3/8" x 3/4" NC	14
32	BP03130	Grease Line	10" L	1
33	BP03131	Grease Line	13" L	1
34	BP14053	Machine Washer	1-1/4" x 14g	1

REAR GEARBOX

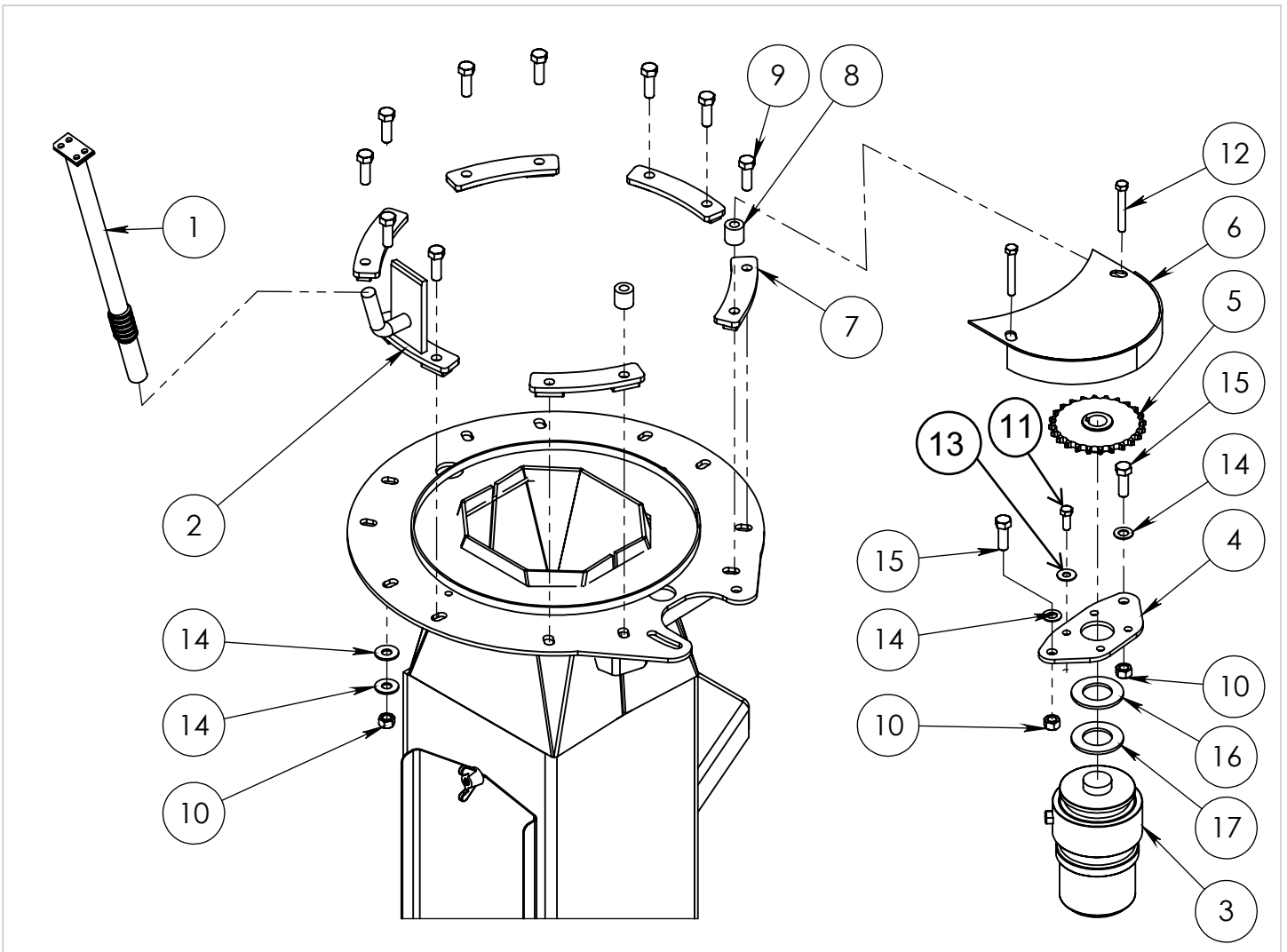


This Page Intentionally Left Blank

SPOUT PLATFORM

PA. 13

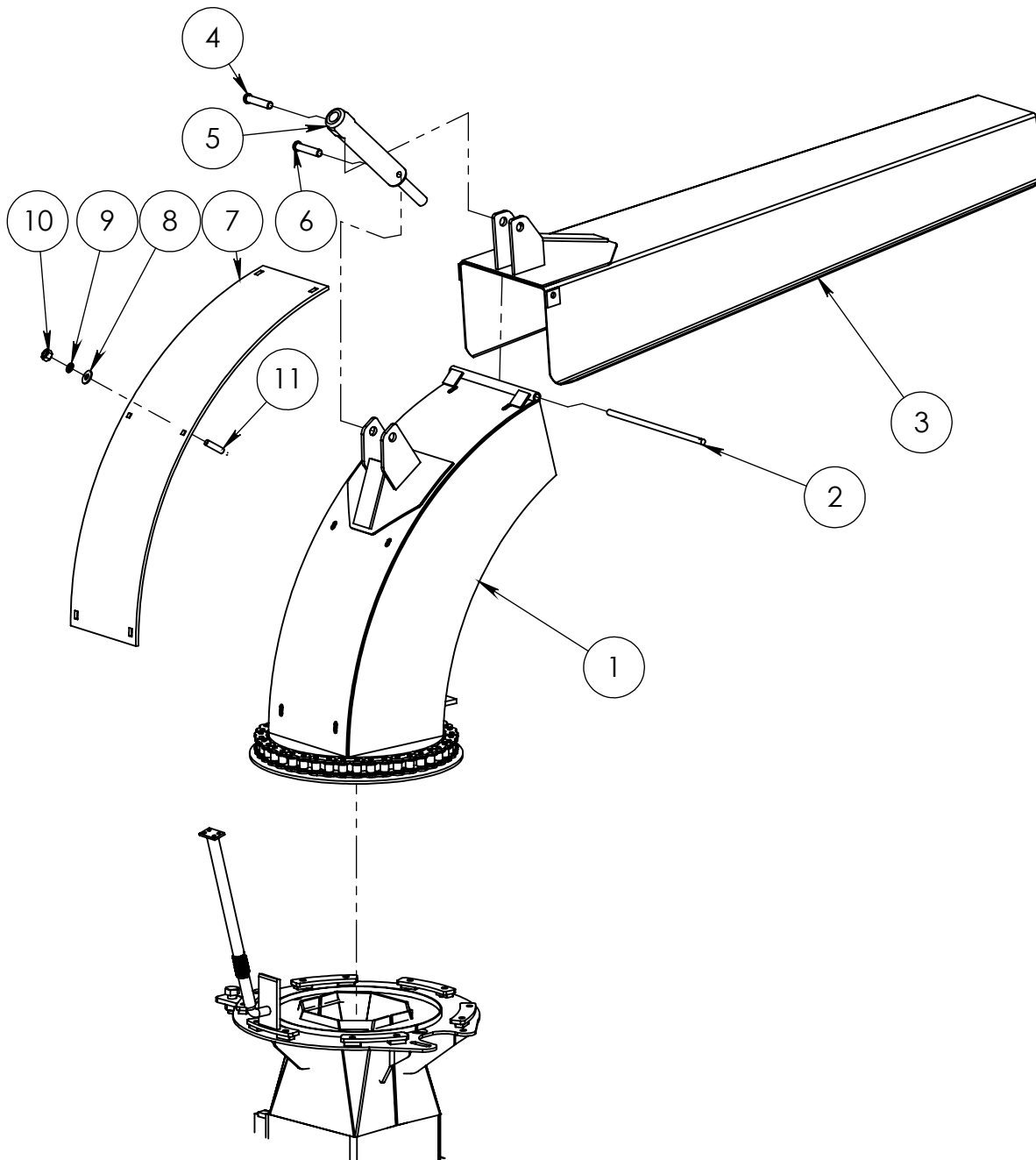
ITEM #	PART #	NAME	DESCRIPTION	QTY:
1	BP12023	Hydraulic Hose Holder		1
2	BP12022	Spout Hold Down	w/ Stop	1
3	BP10018	Spout Orbit Motor	23.5 cu/in	1
4	BP12063	Spout Orbit Motor Bracket		1
5	BP12034	Orbit Motor Sprocket	60B24 (1" Bore)	1
6	BP12021	Orbit Motor Shield		1
7	BP12024	Spout Hold Down	without Stop	5
8	BP12090	Shield Bushing	1/2" x 1" x 1" DOM	2
9	BP14011	Hex Bolt	1/2" x 1-3/4" NC	10
10	BP14013	Lock Nut	1/2" NC	14
11	BP14030	Hex Bolt	3/8" x 3/4" NC	4
12	BP14078	Hex Bolt	1/2" x 3" NC	2
13	BP14022	Lock Washer	3/8"	4
14	BP14079	Flat Washer	1/2"	26
15	BP14093	Hex Bolt	1/2" x 1-1/2"	2
16	BP14049	Machine Washer	1" x 10g	1
17	BP14050	Machine Washer	1" x 14g	1



SPOUT W/ EXTENSION

PA. 14

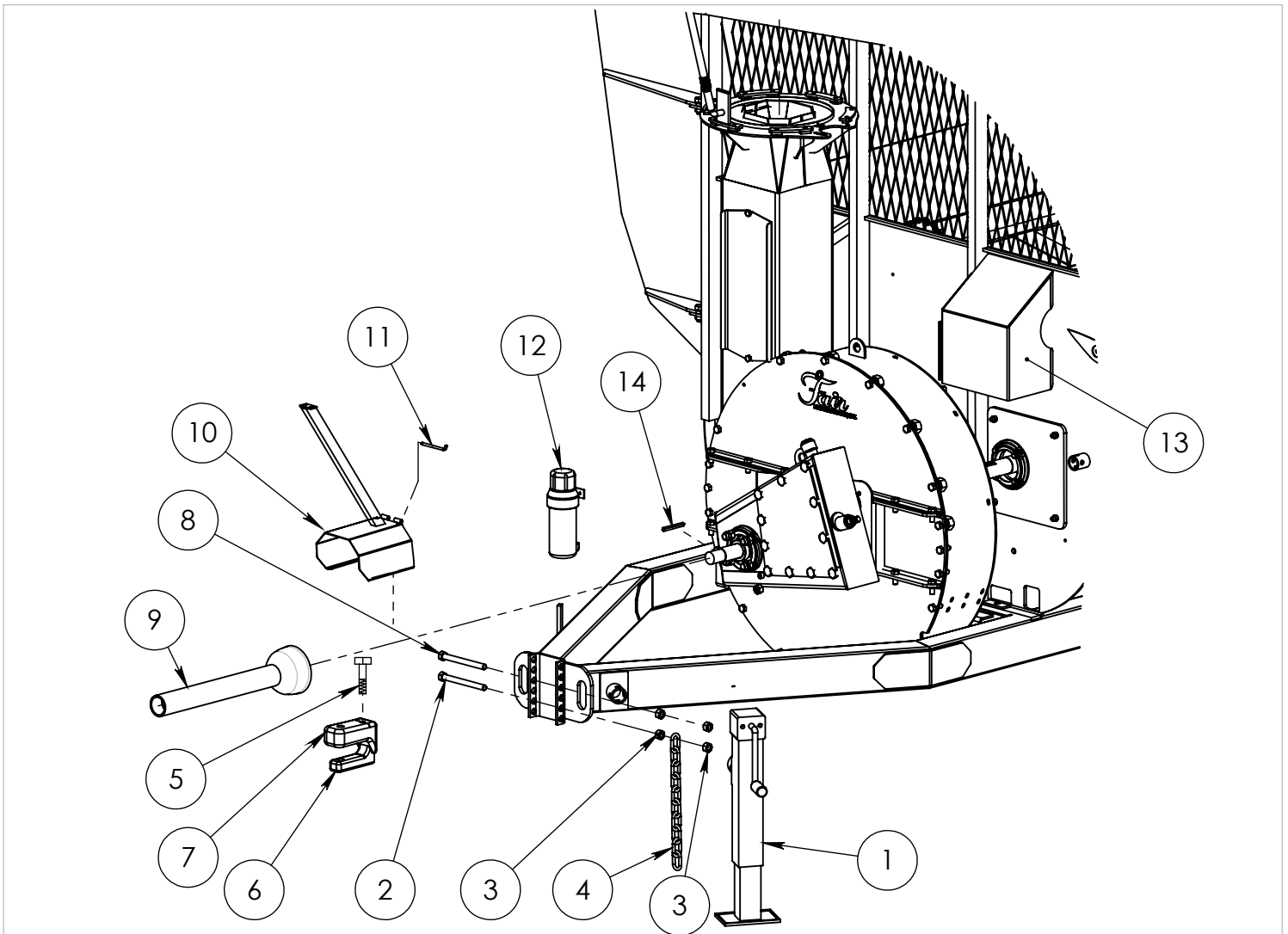
ITEM #	PART #	PART NAME	DESCRIPTION	QTY:
1	BP12019	Spout Assembly(Complete)		1
2	BP12088	Spout Extension Pin	1/2" x 13-1/4"	1
3	BP12055	Spout Extension		1
4	BP14035	Hydraulic Cyl. Pin	3/4" x 3"	1
5	BP10024	Hydraulic Cylinder	1-1/2" x 4" Welded	1
6	BP14036	Hydraulic Cylinder Pin	3/4" x 3-1/2"	1
7	BP12083	Spout Liner		1
8	BP14028	Flat Washer	3/8"	6
9	BP14022	Lock Washer	3/8"	6
10	BP14021	Hex Nut	3/8" NC	6
11	BP14080	Carriage Bolt	3/8" x 1" NC Gr. 8	6



HITCH COMPONENTS

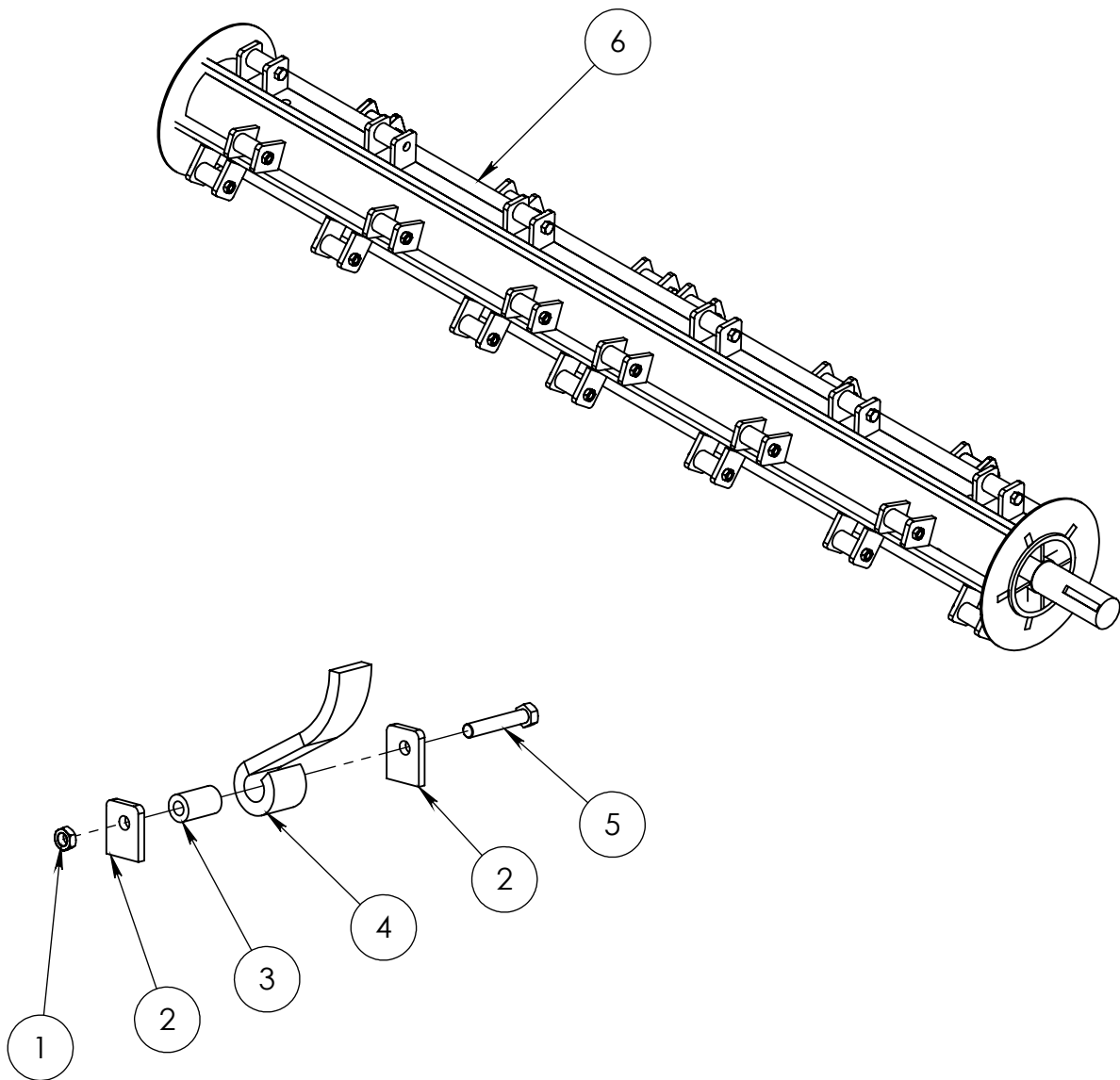
PA. 15

ITEM #	PART #	NAME	DESCRIPTION	QTY:
1	BP01053	Jack		1
2	BP14083	Hex Bolt	3/4" x 7" NC	1
3	BP14017	Lock Nut	3/4" NC	4
4	BP01030	Safety Chain		1
5	BP14008	Hex Bolt	3/4" x 5" NC	1
6	BP01045	Hitch Clevis	(Clevis Only)	1
7	BP01028	Hitch Base	(Base Only)	1
8	BP14082	Hex Bolt	3/4" x 6" NC	1
9	BP01050	PTO	1000	1
10	BP02024	PTO Shield (Complete)		1
11	BP14084	Hinge Pin		1
12	BP02020	Manual Holder		1
13	BP02026	Hydraulic Shield (Complete)	Size 12 (for 5 Station Manifold)	1
14	BP14098	PTO Key	1/2" x 2-1/2"	1
15	BP14081	Shear Bolt (PTO)	5/16" x 2" Gr. 5 (Not Shown)	2

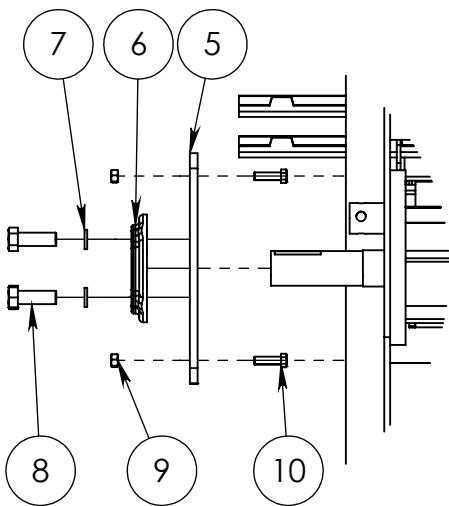
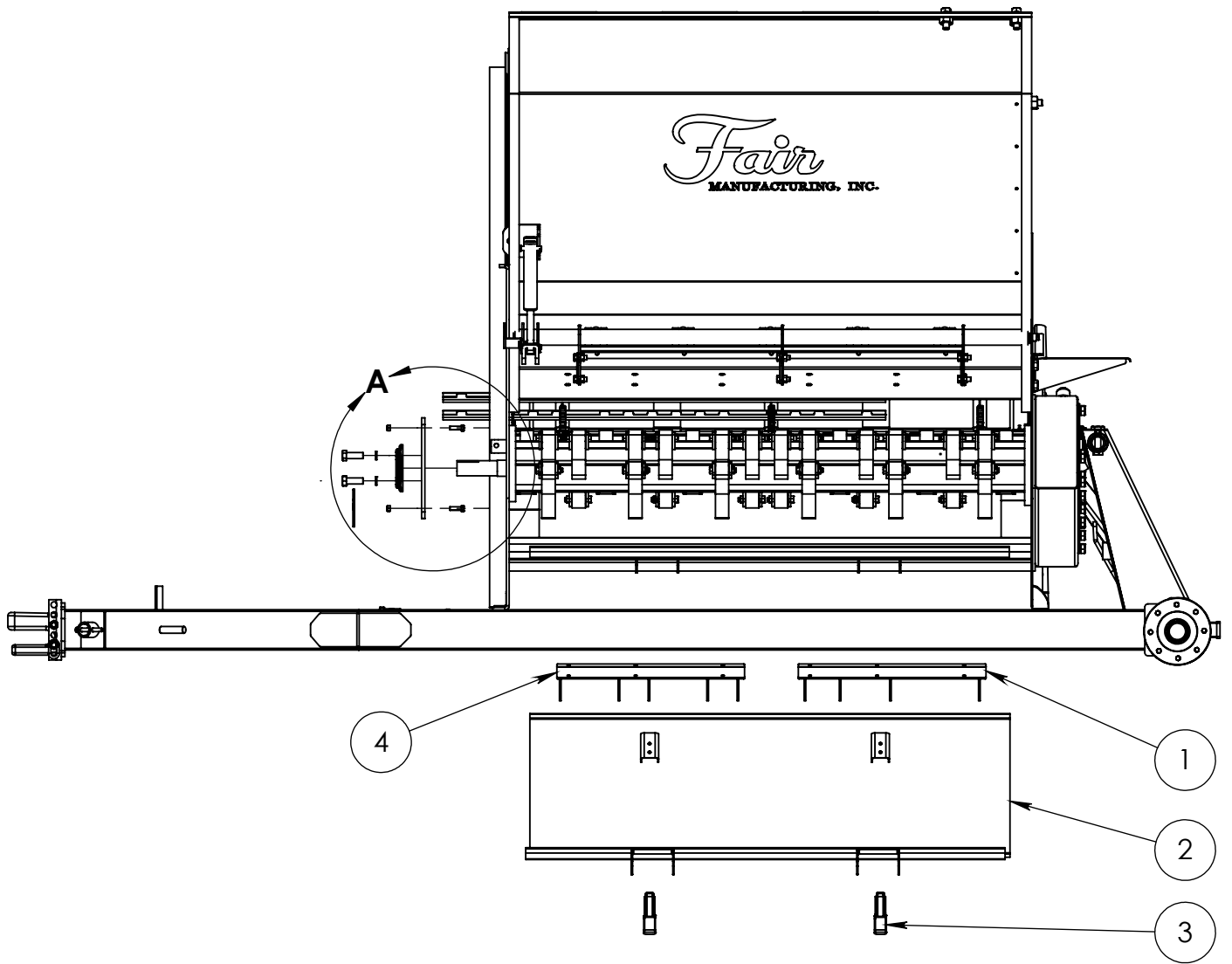


ROTOR & FLAIL COMPONENTS BOM

ITEM #	PART #	PART NAME	DESCRIPTION	QTY:
1	BP14086	Taper Lock Nut	5/8" NF	30
2	BP06017	Rotor Tab	3/8"	60
3	BP06007	Flail Bushing	.640" x 1.25"OD x 2.065"	30
4	BP06008	Flail	5/8" Spring Steel	30
5	BP14085	Hex Bolt	5/8" NF x 3-1/2" Gr. 8	30
6	BP06037	Rotor (Complete)	(Bolts, Bushings, Flails sold seperately)	1



This Page Intentionally Left Blank



DETAIL A

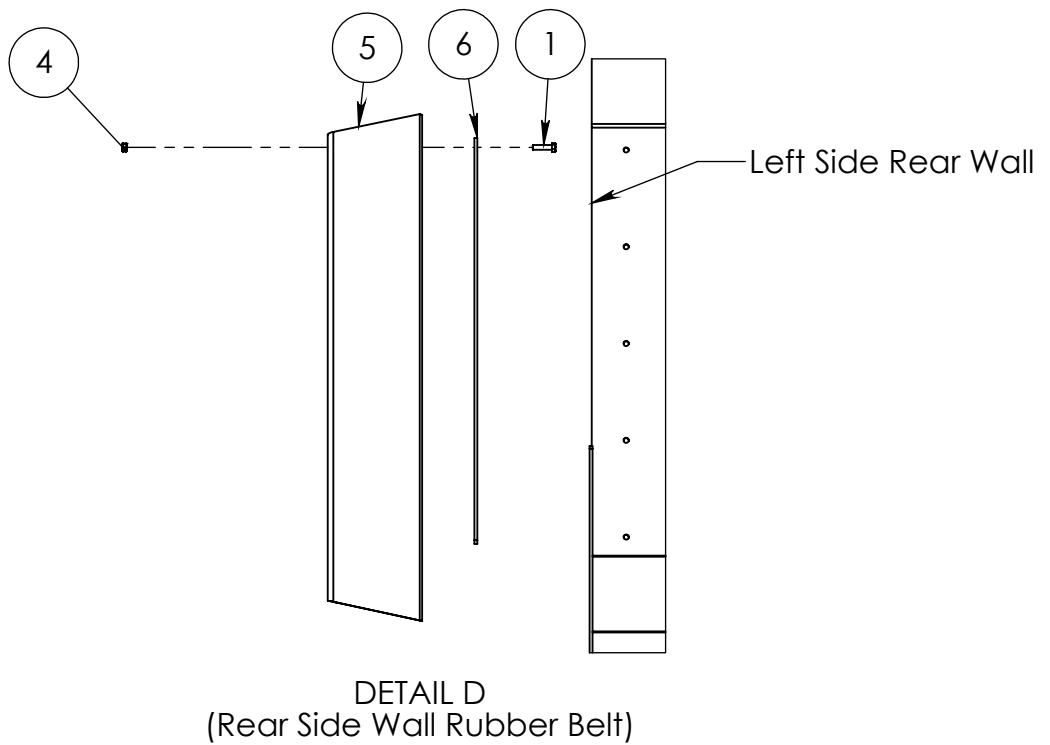
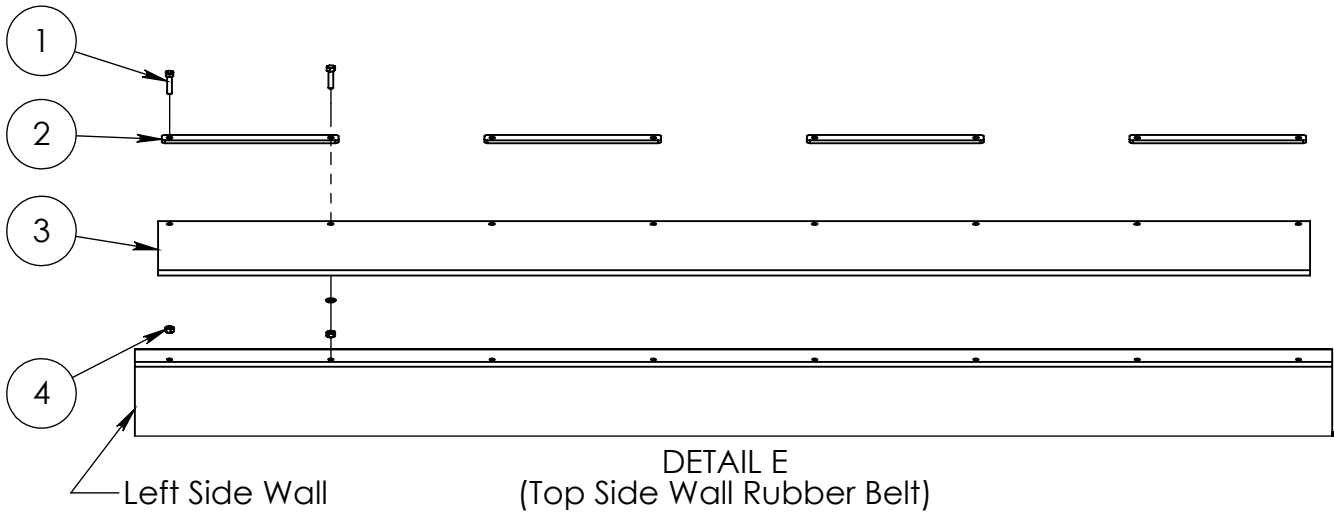
ADDITIONAL ROTOR COMPONENTS BOM

ITEM #	PART #	PART NAME	DESCRIPTION	QTY:
1	BP06012	Stationary Knife	Rear	1
2	BP13101	Rotor Door Assembly		1
3	BP06009	Door Latch	(U- Bolt Style)	2
4	BP06011	Stationary Knife	Front	1
5	BP02019	Rotor Front Bearing Plate 2		1
6	BP03133	Pilot Flange Bearing	2"	1
7	BP14047	Lock Washer	1/2"	4
8	BP14087	Hex Bolt	1/2" x 1-3/4" NF	4
9	BP14006	Lock Nut	1/2" NC	4
10	BP14032	Hex Bolt	1/2" x 1-1/4" NC	4

RUBBER BELTS

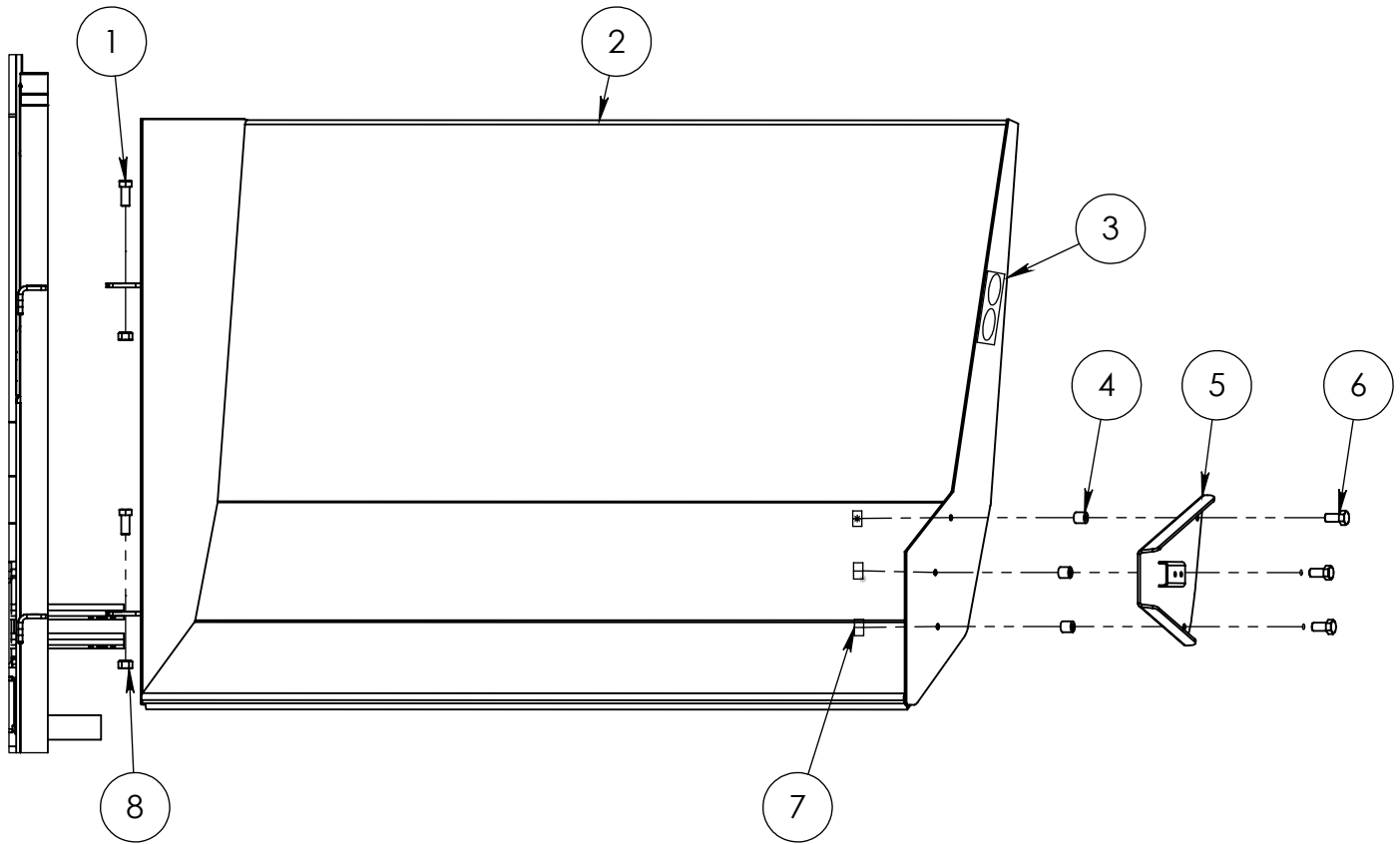
PA. 19

ITEM #	PART #	PART NAME	DESCRIPTION	QTY:
1	BP14091	Hex Bolt	5/16" x 1-1/4" NC	13
2	BP13103	Top Rubber Belt Strip		4
3	BP13049	Rubber Belt Top	(Left Side Wall Top)	1
4	BP14102	Lock Nut	5/16" NC	13
5	BP13121	Rubber Belt Rear	(Left Side Wall Rear)	1
6	BP13122	Rear Rubber Flap Strip		1

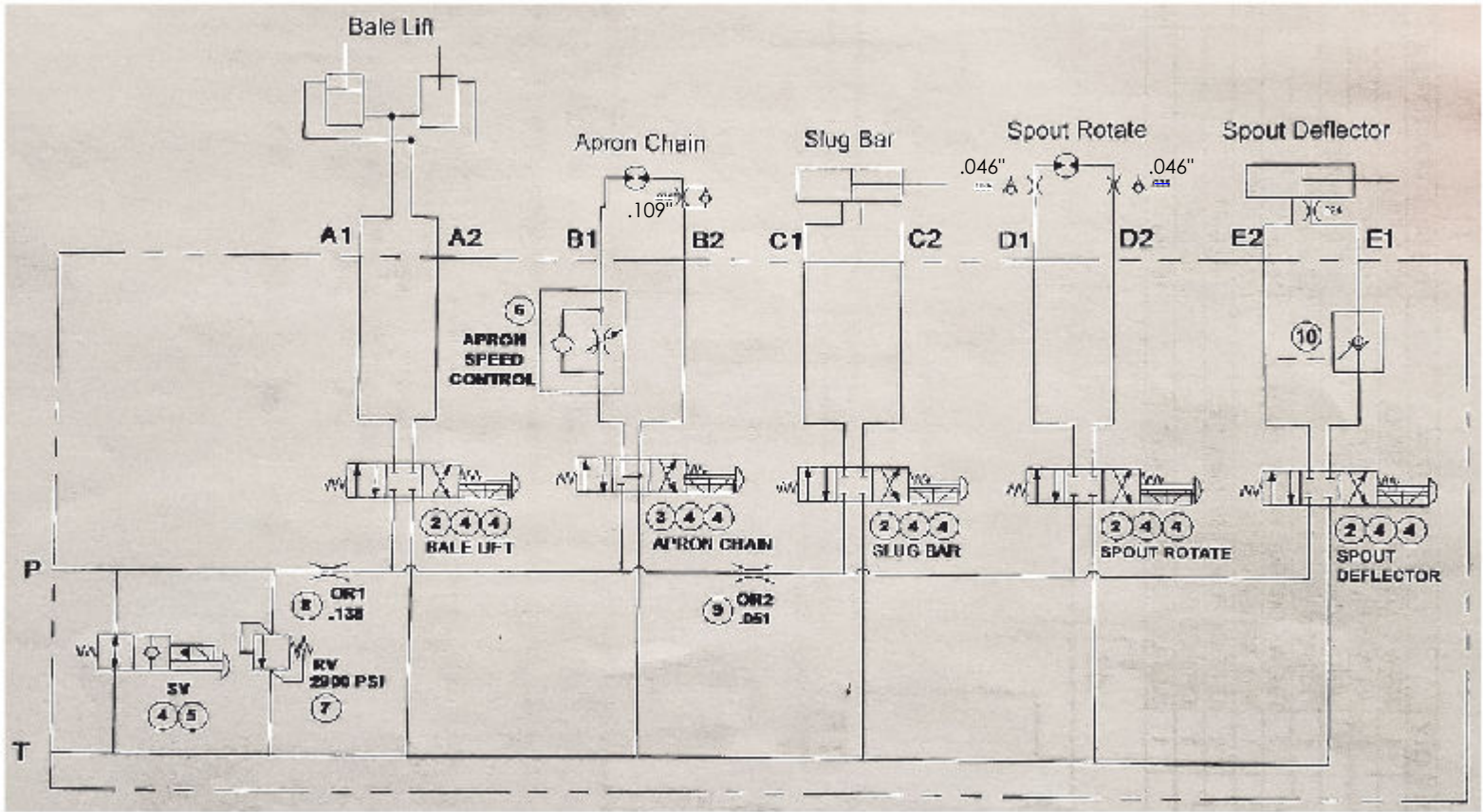


EJECT DOOR BOM

ITEM #	PART #	PART NAME	DESCRIPTION	QTY:
1	BP14088	Hex Bolt	3/4" x 1-3/4" NC	2
2	BP13107	Eject Door (Complete)		1
3	BP09029	Road Lights Kit	(Complete Kit)	1
4	BP13048	Eject Door Latch Mnt. DOM	1/2" x 1" x 1"	3
5	BP13110	Eject Door Latch Mnt.	without Latch	1
6	BP14078	Hex Bolt	1/2" x 3" NC	3
7	BP14006	Hex Nut	1/2" NC	3
8	BP14017	Hex Nut	3/4" NC	2
9	BP06009	Door Latch	U-Bolt Style (Not Shown)	2



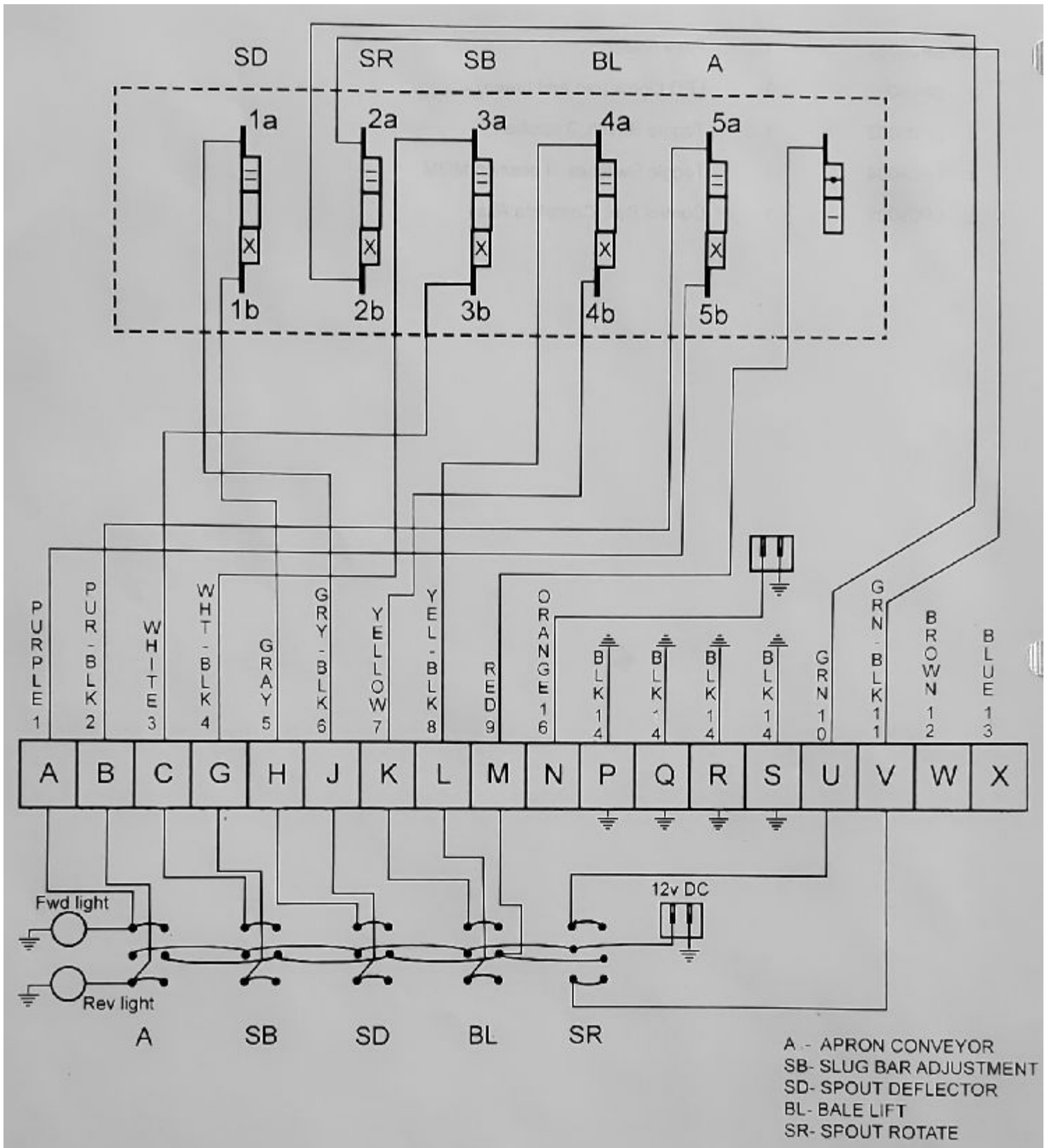
HYDRAULIC SCHEMATIC



HYDRAULIC SCHEMATIC BOM

ITEM #	PART #	PART NAME	DESCRIPTION	QTY:	PRICE	INSTALLATION TORQUE
1	BP10016	Hydraulic Manifold	5 Station	1		-
2	BP10004	Valve- (Bale Lift, Slug Bars, Spout Rotate, Spout Deflector)	(Closed Spool)	4		25 LB-FT
3	BP10001	Apron Chain Valve	Size 12	1		25 LB-FT
4	BP10008	Valve Coil		11		
5	BP10006	SV Valve		1		37-41 LB-FT
6	BP10003	Apron Chain Flow Control		1		16 LB-FT
7	BP10005	Pressure Reducing Valve	2500 PSI	1		37-41 LB-FT
8	BP10009	Orifice	.138"	1		4-6 LB-FT
9	BP10010	Orifice ϕ .051		1		3-5 LB-FT
10	BP10007	Pilot Operated Check Valve		1		15 LB-FT

ELECTRICAL SCHEMATIC



CONTROL BOX BOM**PA. 23**

Item #	Part #	Name	Description	Qty:
1	BP09010	Control Box	(Complete)	1
2	BP09003	Toggle Switch	3 Position, Apron Chain	1
3	BP09004	Toggle Switch	3 Position Momentary	4
4	BP09016	Chord Anchor	1"	1
5	BP09018	Ground Bar		1
6	BP09001	Fuse Holder		1
7	BP09025	Fuse	10 Amp	1
8	BP09002	Lights	(Red & Green)	1
9	BP09019	Dust Cap	Control Box Harness	1
10	BP09020	Dust Cap	Bale Processor Harness	1
11	BP09015	Control Box Blank Box	(No Holes)	1
12	BP09013	Control Box Face Plate		1
13	BP09017	Rubber Insulator	1/4" Studs	2
14	BP14094	Lock Washer	1/4"	2
15	BP14095	Hex Nut	1/4" (For Control Box Mnt.)	2
16	BP09014	Control Box Mount		1
17	BP09038	Wire Harness	Control Box Half	1
18	BP09028	Wire Harness	Processor Half	1

This Page Intentionally Left Blank